

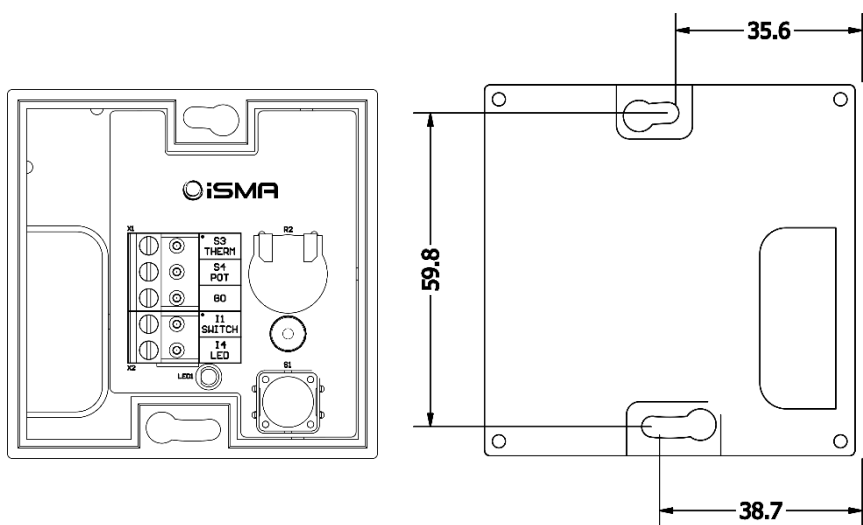
iSMA-B-SP



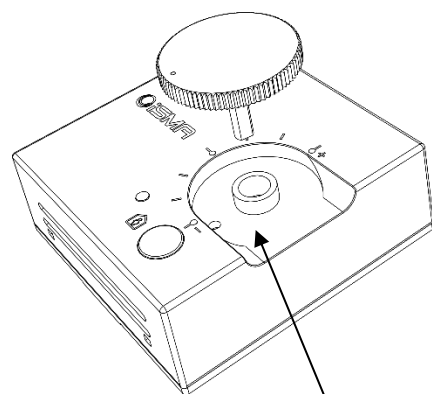
version 1.0

SPECIFICATION	
Temperature sensor	10k NTC type, B=3380 ±1%
Potentiometer	10k Linear type, Tolerance: ±20%
LED	Waterclear Blue – current driven
Push Button Switch	Normal Open
Ingress Protection	IP20 - for indoor installation
Temperature	Operating: 0°C to +50°C; Storage: -40°C to +85°C
Relative Humidity	5 to 95% RH (without condensation)
Connectors	Separable, max 2 mm ²
Dimensions	71 x 71 x 27 mm
Mounting	Standard 60 mm wall back box
Housing material	Plastic, self-extinguishing PC/ABS

INSIDE AND BOTTOM VIEW

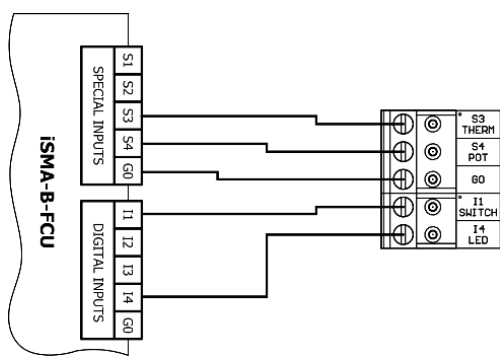


MOUNTING VIEW

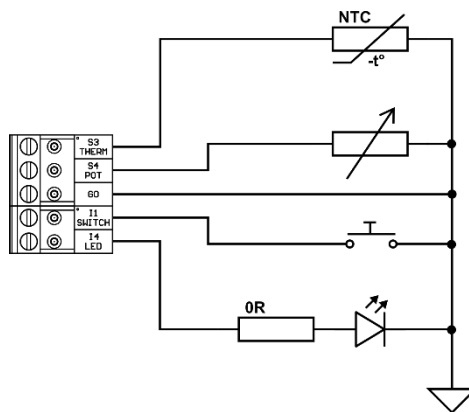


Screw for securing the lid below the knob

CONNECTION TO FCU



INTERNAL DIAGRAM



⚠ WARNING ⚠

- Note, an incorrect wiring of this product can damage it and lead to other hazards. Make sure the product has been correctly wired before turning the power ON.
- Before wiring, or removing/mounting the product, be sure to turn the power OFF. Failure to do so might cause electric shock.
- Do not touch electrically charged parts such as the power terminals. Doing so might cause electric shock.
- Do not disassemble the product. Doing so might cause electric shock or faulty operation.
- Use the product within the operating ranges recommended in the specification (temperature, humidity, voltage, shock, mounting direction, atmosphere etc.). Failure to do so might cause fire or faulty operation.
- Firmly tighten the wires to the terminal. Insufficient tightening of the wires to the terminal might cause fire.